

2150 Optical Touch Screen

Product Summary



Benefits

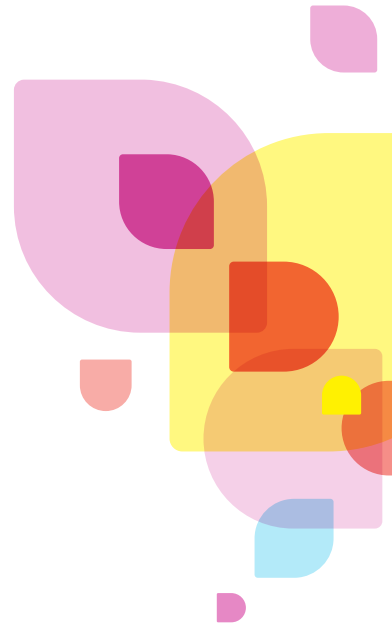
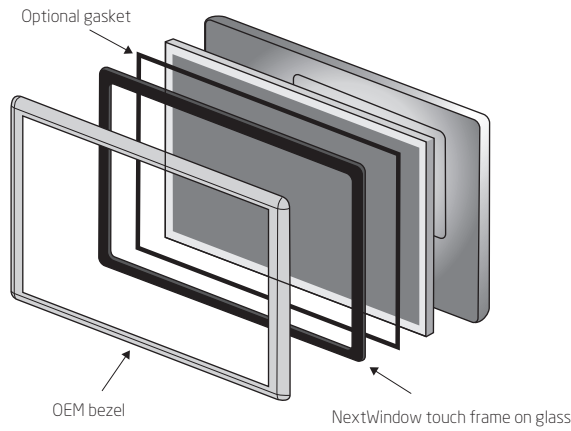
- > Easy integration
- > HID-compliant USB
- > Low power consumption
- > Clear glass
- > Light touch—no pressure required
- > Once-only, four-point calibration
- > No drift

NextWindow's new 2150 Optical Touch Screen incorporates NextWindow's latest passive-border technology, which radically reduces the quantity and complexity of electronic components, resulting in ease of assembly, lower cost, and excellent reliability. No retooling required as the form factor has not changed, making the 2150 a drop-in replacement for previous versions of 2100-series touch screens.

The 2150 shares all of NextWindow's unique optical technology benefits, including exceptional clarity of image, but also adds low power consumption (USB powered) and improved resistance to varying environmental conditions.



Construction Overview



Feature	Earlier 2100 models	2150 model
Size range	30" to 67"	30" to 120"
Backlight system	Arrays of active LEDs	Retro reflective strip
Power supply	AC mains adaptor	USB
Form factor	On glass	Kit or assembled frame
Field servicing	Return to base	Adjustment mechanism
Mechanical	20 mm wide frame on glass	Same form factor
Firmware version	2.51	2.99.2
Multi-touch support	No	Yes
Digitizer support	No	Yes
Vista 32 Bit	Yes	Yes
Vista 64 Bit	No	Yes
*Mac OS X	Digitiser mode only	Digitiser mode only
*Linux	Mouse mode only	Mouse mode only
Windows USB plug-and-play mouse functionality	Yes	Yes

* Mac OS X and Linux require a Windows PC to run configuration utility
Mac OS X requires a PC for initial calibration



New Zealand

13-15 College Hill, Ponsonby
Auckland 1011, New Zealand

Postal Address

PO Box 91383, Victoria Street West
Auckland 1142, New Zealand

t +64 9 353 6608

f +64 9 353 6609

United States

7020 Koll Center Parkway, Suite 138
Pleasanton, CA 94566 USA

t +1 925 271 2390

f +1 925 461 5019

nextwindow.com



nextwindow™