

2403 Interactive Touch Panel for LCD/Plasma

40 mm frame, USB/Serial



Applications

- Digital Retail Signage
- Directory and Wayfinding
- Conference Rooms
- Interactive Education

NextWindow's 2403 Touch Panel turns any large display, such as a plasma or LCD, into an interactive touch screen that provides full mouse functionality—click, drag, double-click and right-click. You can control a computer application simply by touching the screen.

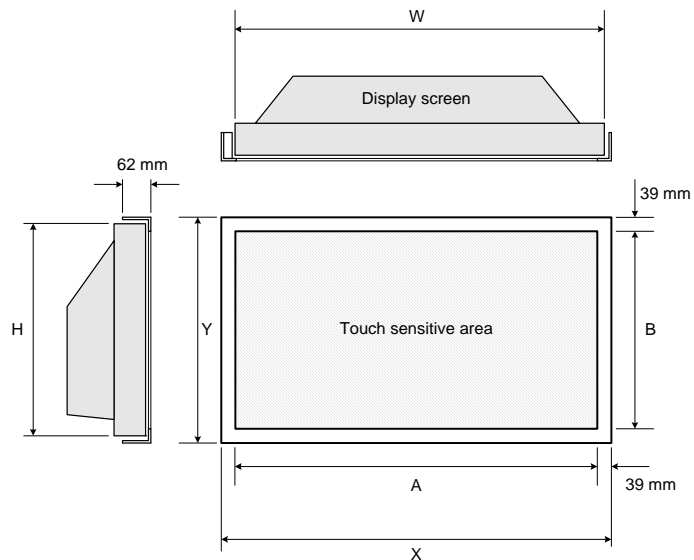
The 2403 Touch Panel uses NextWindow's unique optical imaging technology, which employs clear glass with no special surface coatings and therefore preserves the full clarity of the display image.

The 2403 Touch Panel can be fitted to any manufacturer's display from 33" to 65" and provides the following features:

- Accurate touch sensitivity over the whole screen.
- Light touch—no pressure required.
- Any touch method can be used—finger, gloved hand or pointer.
- Once-only, four-point calibration. No drift.
- Serial interface or plug-and-play USB connection.
- Landscape or portrait orientation.

2403 Interactive Touch Panel

Dimensions



(Dimensions in mm)

Display size		Display size		Touch overlay external		Touch sensitive area	
		W	H	X	Y	A	B
37"	Standard	928	571	978	600	900	522
40"	Thin	932	548	982	577	904	499
	Small 16:9	986	582	1036	611	958	533
	Small 15:9	950	605	1000	634	922	556
	Large	1000	605	1050	634	972	556
42"	Small	1020	610	1070	639	992	561
	Medium	1039	642	1089	671	1011	593
	Large	1060	650	1110	679	1032	601
	Large	1083	650	1133	679	1055	601
46"	Thin	1068	624	1118	653	1040	575
	Small	1118	663	1168	692	1090	614
	Medium	1118	675	1168	704	1090	626
50"	Small	1210	724	1260	753	1182	675
	Medium	1227	736	1277	765	1199	687
	Large 16:9	1270	737	1320	766	1242	688
	Large 15:9	1257	746	1307	775	1229	697
52"	Standard	1237	774	1287	803	1209	725
57"	Standard	1364	801	1414	830	1336	752
58"	Standard	1400	845	1450	874	1372	796
61"	Standard	1481	890	1531	919	1453	841
65"	Small	1554	925	1604	954	1526	876
	Large	1575	925	1625	954	1547	876

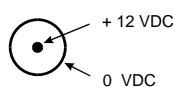
Note: Because the inner sides of the touch panel are padded with foam to protect the display screen, there is a small tolerance in fit.

2403 Interactive Touch Panel

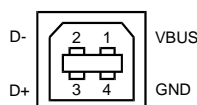
Specifications

Dimensions	See the "2403 Interactive Touch Panel - Dimensions" page
Glass	Recommended 4 mm to 5 mm tempered glass Can be supplied without glass. Contact NextWindow for details
Frame surface finish	Standard: silver zinc passivated then black or silver powder coated. Other colours available on request.
Construction	Fully welded mild steel frame
Luminous transmission	100% without glass, >92% with glass
Aspect ratio	Generally 16:9
Touch technology	NextWindow Optical Imaging—no special surface coatings
Touch method	Finger, gloved hand, or any other pointer
Touch activation force	No pressure required
Touch accuracy	± 2 mm (for 40" screen) over 90% of the screen USB reported touch resolution 32767 x 32767
Touch durability	Unlimited
Touch response time	Typically 110 touches per second (9 ms) for single touch with no ambient synchronisation
Environment	Temperature Operating: 0°C to 55°C Storage: -25°C to 85°C Humidity Operating: 10% to 90% RH, non-condensating Storage: 10% to 90% RH, non-condensating
Power supply	+12 VDC, nominal (+11.5 V to +12.5 V) 250 mA rms (peaks of 1 A for 8 ms), typical at +12 VDC. Average power dissipation is 3 W. Supply must be capable of providing 500 mA minimum Total noise and ripple requirement must be less than 100 mV for frequencies below 1 MHz, and less than 50 mV (p-p) for frequencies above 1 MHz (As supplied, part number 302140000. Input: 90-263 VAC 47-63 Hz. Output: +12 VDC 3.5 A.)
Reporting speed	10 ms per coordinate set (max) Typical: 50 Hz or 60 Hz reporting rate
Calibration	USB: simple four-point driverless calibration Serial: simple four-point calibration with NextWindow SerialConfig software Automatic landscape/portrait orientation detection
ESD	Per EN 6100-4-2 1995: Level 4. Contact discharge 8 kV, air discharge 15 kV on USB connector pins
Mounting	Fits plasma or LCD display with adjustable tension straps. No screws required.
Interfaces	USB: 1.1 (full speed), HID compliant, plug-and-play compatible Serial: RS232 DB9 straight through cable to PC. 4,800 Baud to 115,200 Baud
Operating systems	Windows XP, Windows Vista, Win 2000, Mac OS, Linux.
Software	No software required for USB. Works with Windows native HID mouse driver NextWindow Serial Runtime software required for serial interface NextWindow Touch+ software provides additional utilities.
Weight	Approximately 3.5 kg without glass. From 14 kg to 20 kg with glass, depending on size
Warranty	1 year parts and labour

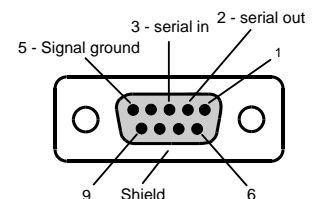
Note: specifications subject to change without notice.



12 VDC positive centre power socket



USB Series B receptacle as specified in section 6.5 of the USB specification, version 1.1



Serial: RS232 DB9 socket



Head Office

NextWindow Ltd
13-15 College Hill Road
Ponsonby
Auckland
New Zealand

Phone: +64 9 353 6608
Fax: +64 9 353 6609
Website: www.nextwindow.com

Postal Address

PO Box 91383
Auckland Mail Service Centre
Auckland
New Zealand

U.S. Headquarters

NextWindow Ltd.
7020 Koll Center Parkway
Suite 138
Pleasanton, CA 94566

Phone: +1 866 870 9733
Fax: +1 408 355 9309
Website: www.nextwindow.com