

2405/6 Interactive Touch Panel for LCD/Plasma

30 mm frame, USB/Serial



Applications

- Digital Retail Signage
- Directory and Wayfinding
- Kiosks

NextWindow's 2405/6 Touch Panel turns any large display, such as a plasma or LCD, into an interactive touch screen that provides full mouse functionality—click, drag, double-click and right-click. You can control a computer application simply by touching the screen.

The 2405/6 Touch Panel uses NextWindow's unique optical imaging technology, which employs clear glass with no special surface coatings and therefore preserves the full clarity of the display image.

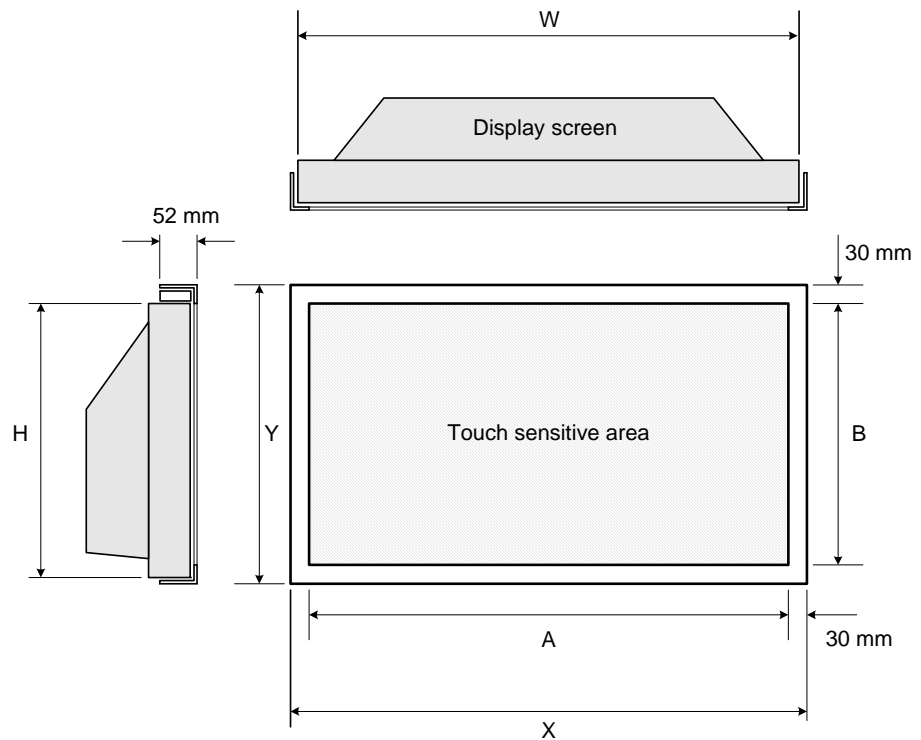
The 2405/6 Touch Panel can be fitted to any manufacturer's display from 23" to 32" and provides the following features:

- Accurate touch sensitivity over the whole screen.
- Light touch—no pressure required.
- Any touch method can be used—finger, gloved hand or pointer.
- Once-only, four-point calibration. No drift.
- Serial interface or plug-and-play USB connection.
- Landscape or portrait orientation.

Note: for screens larger than 32", see NextWindow's 2403 Interactive Touch Panel.

2405/6 Interactive Touch Panel

Dimensions



(Dimensions given in mm)

Display size			Touch panel external		Touch sensitive area		
		W	H	X	Y	A	B
23"		542	373	568	412	508	352
30"	Small	706	447	732	486	672	426
	Large	727	469	753	508	693	448
32"	Small	792	486	818	525	758	465
	Medium	820	504	846	543	786	483
	Large	839	545	865	584	805	524

Notes

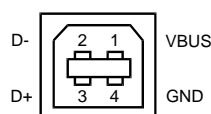
- The above diagram is for illustration only and is not to scale.
- The above dimensions are for commercially available display screens. Other sizes may be available on request.
- Because the inner sides of the touch panel are padded with foam to protect the display screen, there is a small tolerance in fit.

2405/6 Interactive Touch Panel

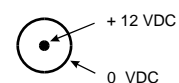
Specifications

Dimensions	See the "2405/6 Interactive Touch Panel - Dimensions" page
Glass	Recommended 4 mm to 5 mm tempered glass Can be supplied without glass. Contact NextWindow for details
Frame colour	Standard: black textured or silver powder coated. Other colours available on request
Construction	Fully welded mild steel frame
Luminous transmission	100% without glass, >92% with glass
Aspect ratio	Generally 16:9
Touch technology	NextWindow Optical Imaging—no special surface coatings
Touch method	Finger, gloved hand, or any other pointer
Touch activation force	No pressure required
Touch accuracy	± 2 mm (for 40" screen) over 90% of the screen USB reported touch resolution 32767 x 32767
Touch durability	Unlimited
Touch response time	Typically 110 touches per second (9 ms) for single touch with no ambient synchronisation
Environment	Temperature Operating: 0°C to 55°C Storage: -25°C to 85°C Humidity Operating: 10% to 90% RH, non-condensating Storage: 10% to 90% RH, non-condensating
Power supply	+12 VDC, nominal (+11.5 V to +12.5 V) 250 mA rms (peaks of 1 A for 8 ms), typical at +12 VDC. Average power dissipation is 3 W. Supply must be capable of providing 500 mA minimum Total noise and ripple requirement must be less than 100 mV for frequencies below 1 MHz, and less than 50 mV (p-p) for frequencies above 1 MHz (As supplied, part number 302140000. Input: 90-263 VAC 47-63 Hz. Output: +12 VDC 3.5 A.)
Reporting speed	10 ms per coordinate set (max) Typical 15 ms (66 updates per second)
Calibration	USB (model 2406): simple four-point driverless calibration Serial (model 2405): simple four-point calibration with NextWindow SerialConfig software Automatic landscape/portrait orientation detection
ESD	Per EN 6100-4-2 1995: Level 4. Contact discharge 8 kV, air discharge 15 kV on USB connector pins
Mounting	Fits plasma or LCD display with adjustable tension straps. No screws required.
Interfaces	USB (model 2406): 1.1 (full speed), HID compliant, plug-and-play compatible Serial (model 2405): RS232 DB9 connector
Operating systems	Windows XP, Mac OS, Win 2000, Linux.
Software	No software required for USB. Works with Windows native HID mouse driver NextWindow Serial Runtime software required for serial interface NextWindow Touch+ software provides additional utilities.
Weight	Approximately from 5 kg to 8 kg with glass, depending on size
Warranty	1 year parts and labour

Note: specifications subject to change without notice.



USB Series B receptacle as specified in section 6.5 of the USB specification, version 1.1



12 VDC positive centre power connector

**Head Office**

NextWindow Ltd
13-15 College Hill Road
Ponsonby
Auckland
New Zealand

Postal Address

PO Box 91383
Auckland Mail Service Centre
Auckland
New Zealand

Phone: +64 9 353 6608

Fax: +64 9 353 6609

Website: www.nextwindow.com

U.S. Headquarters

NextWindow Ltd.
7020 Koll Center Parkway
Suite 138
Pleasanton, CA 94566

Phone: +1 866 870 9733

Fax: +1 408 355 9309

Website: www.nextwindow.com